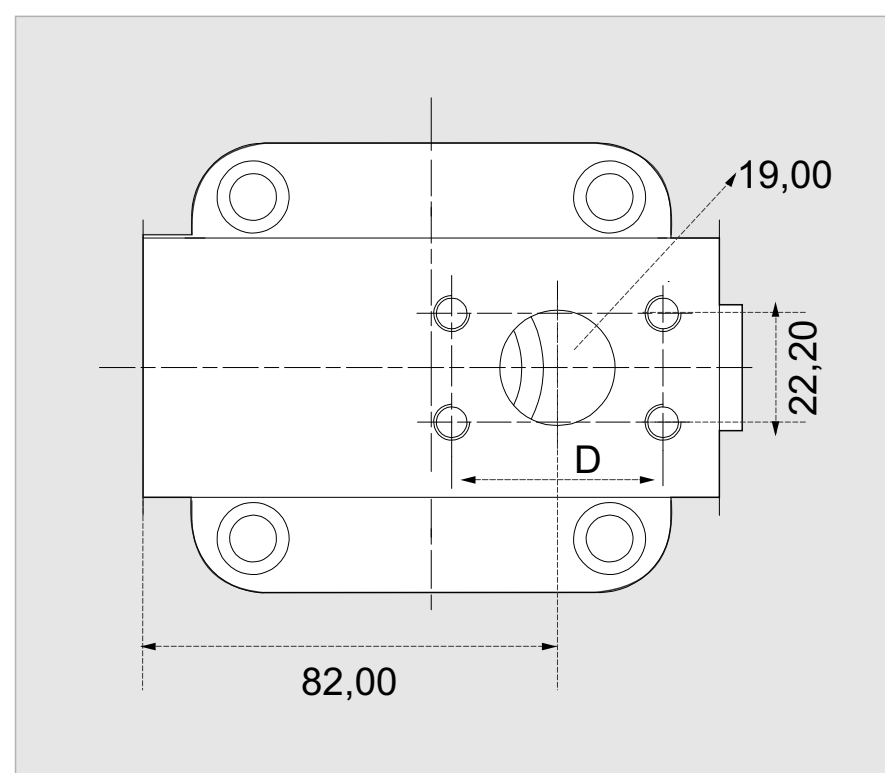


Outlet (6000 psi) : SAE 1/2"  
 Inlet (3000 psi) : SAE 3/4"

<b>x 1000 rpm</b>	32,00 cc
<b>x 1500 rpm</b>	48,00 cc
<b>Max. Continuous Pump Speed</b>	2500 rpm
<b>Max. Continuous Pressure</b>	400 bar
<b>Max. Peak Pressure</b>	450 bar
<b>Max. Torque at 350 bar</b>	174 Nm
<b>Max. Flow</b>	80,00 l/min.
<b>Min. Pump Temperature</b>	-25 °C
<b>Max. Pump Temperature</b>	110 °C
<b>Weight without accessories</b>	11,50 kg
<b>Weight with accessories</b>	11,90 kg
<b>Rotation</b>	CW-CCW



**S1**

Splined shaft DIN 5480  
 W30x2x14x9g

**K1**

Parallel keyed shaft  
 DIN 6885, As8x7x40