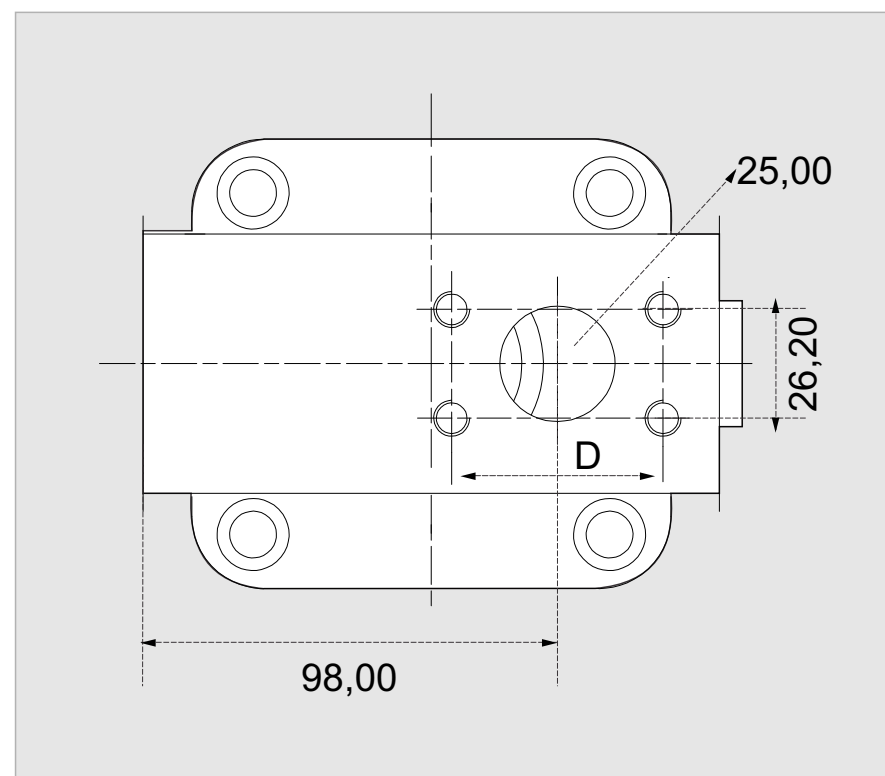


Outlet (6000 psi) : SAE 3/4"
 Inlet (3000 psi) : SAE 1"

| | |
|-----------------------------------|---------------|
| x 1000 rpm | 50,00 cc |
| x 1500 rpm | 75,00 cc |
| Max. Continuous Pump Speed | 2300 rpm |
| Max. Continuous Pressure | 400 bar |
| Max. Peak Pressure | 450 bar |
| Max. Torque at 350 bar | 280 Nm |
| Max. Flow | 115,00 l/min. |
| Min. Pump Temperature | -25 °C |
| Max. Pump Temperature | 110 °C |
| Weight without accessories | 17,50 kg |
| Weight with accessories | 18,00 kg |
| Rotation | CW-CCW |



S1

Splined shaft DIN 5480
 W35x2x16x9g

S2

Splined shaft DIN 5480
 W30x2x14x9g

K1

Parallel keyed shaft
 DIN 6885, As10x8x50

K2

Parallel keyed shaft
 DIN 6885, As8x7x50