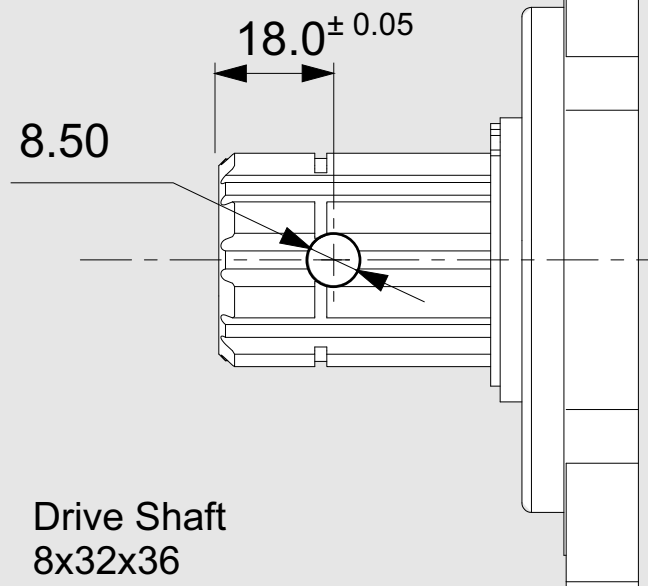
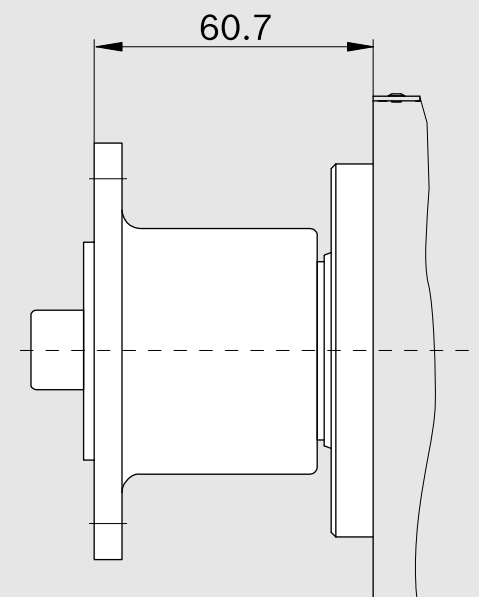


Drive Shaft



Coupling Flange



x 1000 rpm	108,40 cc
x 1500 rpm	162,60 cc
Max. Continuous Pump Speed	1700 rpm
Max. Limited Pump Speed	1900 rpm
Max. Continuous Pressure	350 bar
Max. Intermit. Peak Pressure	400 bar
Max. Torque at 350 bar	620 Nm
Weight without inlet fitting	15,50 kg
Weight with inlet fitting	15,90 kg
Torque without inlet fitting	17,92 N.m
Torque with inlet fitting	18,45 N.m
Rotation	CW-CCW
Fluid	Min.B.Hyd.Oil
Inlet & Outlet	1"

