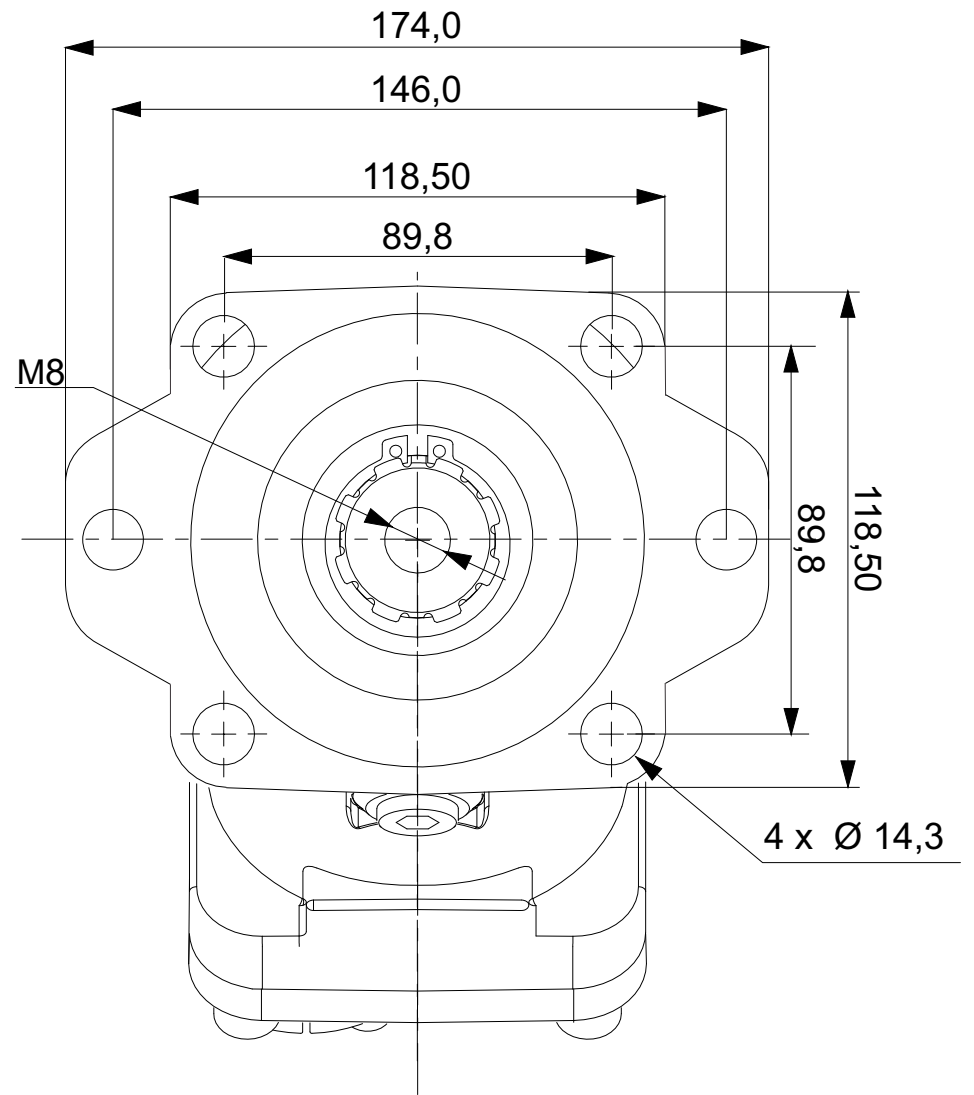
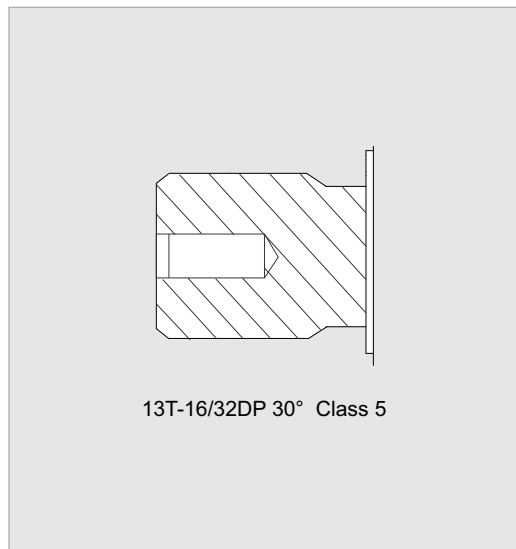


SAE B2 & B4 BOLT MOUNTING (SAE J744)



Back Cover

Spline Shaft



Keyed Shaft

