

Hydraulic Parts

Power Take Off, Hydraulic Valve, Adapter, Flange, Couplars

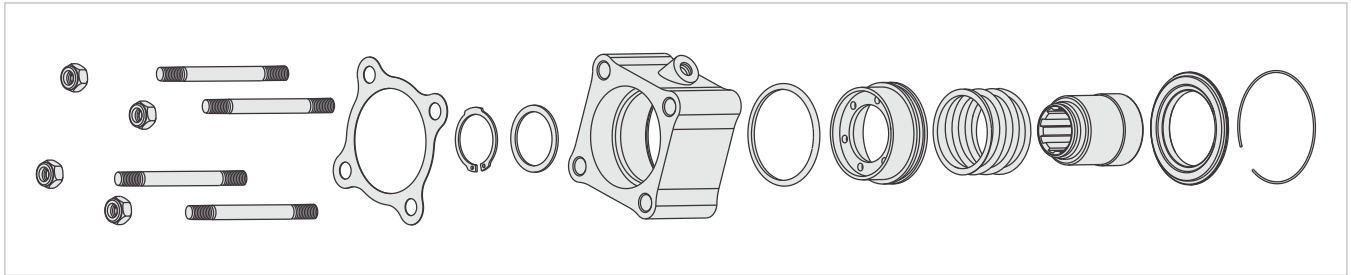
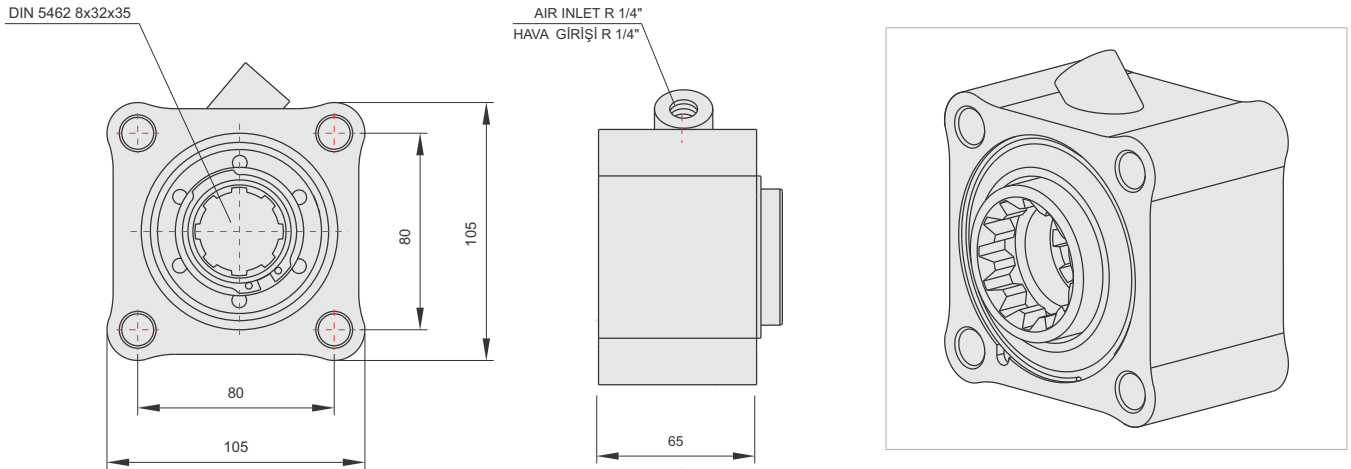


We supply Hydraulic Parts, Accessories;

- ZF1, ZF2 Power Take Off,
- Limit Control Valve,
- Mechanical Control Valve,
- Bi-Directional Control Valve,
- Hydraulic Tank Valve,
- ISO Adapter,
- UNI Adapter,
- 6x6 Couplars,
- 6x8 Couplars,
- Increased Reliability,
- No Drain Line Necessary,
- Smaller Installation Dimensions,
- One Piece Pistons with Piston Rings,
- Special Suction Fittings & Accessories,
- Simple Change of Direction of Rotation

Contents

- ZF1 Power Take Off3
- ZF2 Power Take Off.....4
- Trailer Directional Valve.....5
- Limit Control Valve (Open-Closed Loop)6
- Directional Tank Valve7
- ISO Adapter 4x38
- UNI Adapter 3x49
- ISO Adapter 4x410
- Flange11
- Couplar12
- Complete Produce Range13
- Production, Contact14



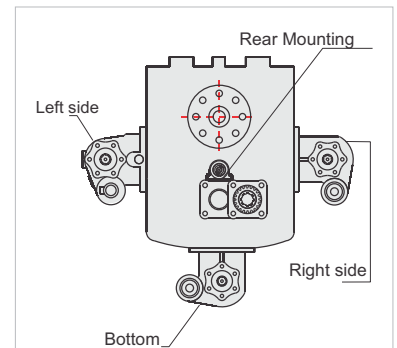
GENERAL DATA

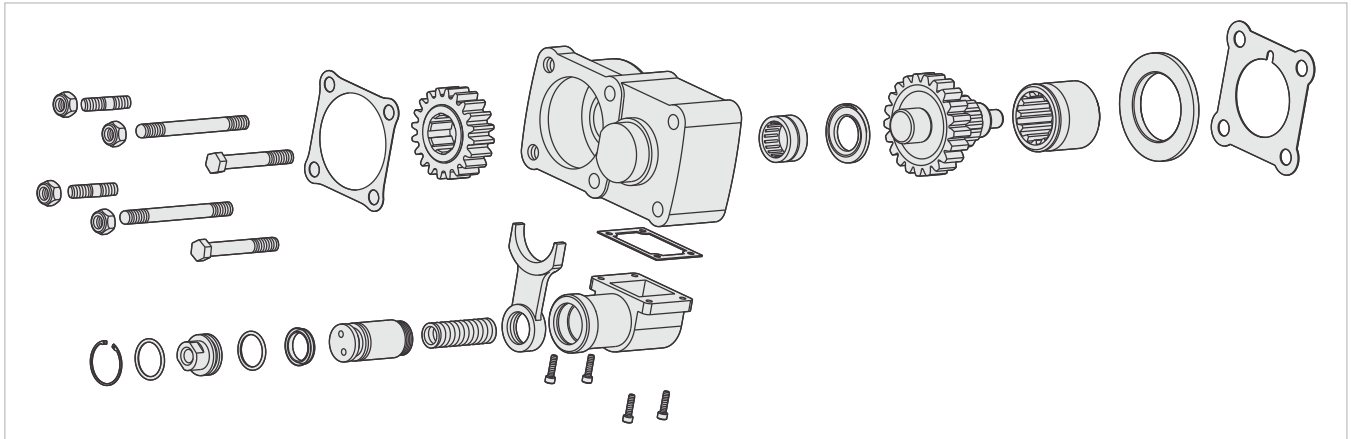
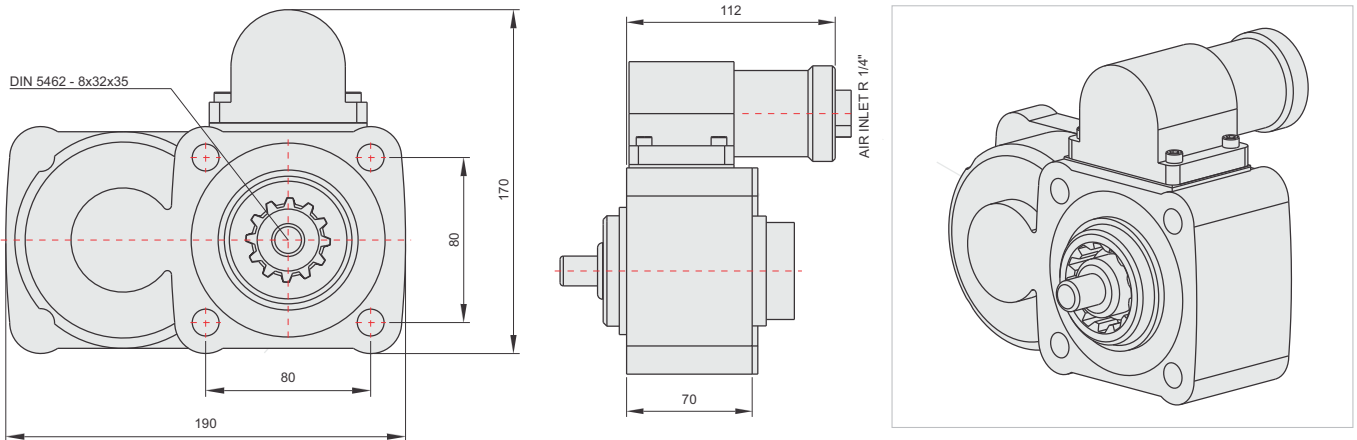
P.T.O. CODE	ZF1	
Torque	48,9 Kgm	479,5 Nm
Power	34,5 Hp	25,7 Kw
Speed	513 rpm	513 rpm
Ratio	1/1	1/1
Weight	7 kg	15,4 lb
Mounting	Kuyruk	Rear
Control	Havalı	Pneumatic
P.T.O. Rotation	Sağ - ISO	Right - ISO

Gearbox	Used Vehicles
ZF16S251-221-151-150-130- ZF S5/AK/65-120-111-110-92- GP ZF S5/AK/6S-90-80-70-66- 65-55-50-42-36-35-ZF-ECOMIT 9S75-9S109-16S109 ZF NEW ECOSPLIT 16S1620TD- 16S1820TO-18S1820TO- 16S2220TD-16S220TO- 16S2520TO- 16S2023TDL	MAN / MERCEDES / BMC PROFESYONEL / FORD CARGO / CHRYSLER HINO / DODGE / FARGO / IVECO / DAF/ DAEWOO / RENAULT

The rotation of the chosen pump has to be opposite with the rotation of P.T.O.

Fill the oil of the gear box after mounting the P.T.O.





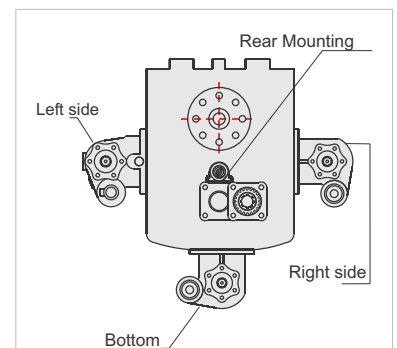
GENERAL DATA

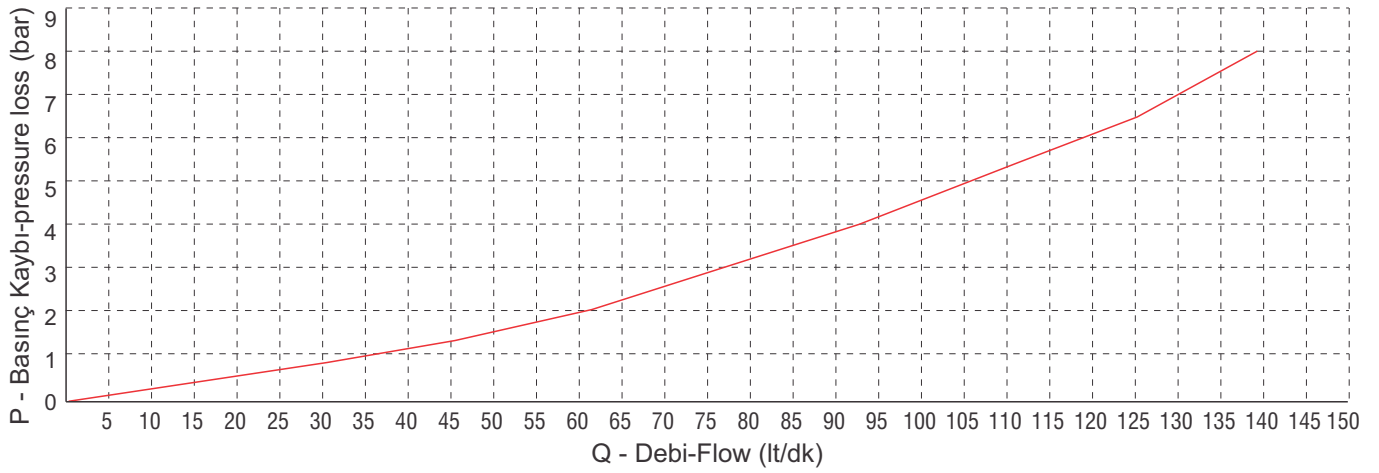
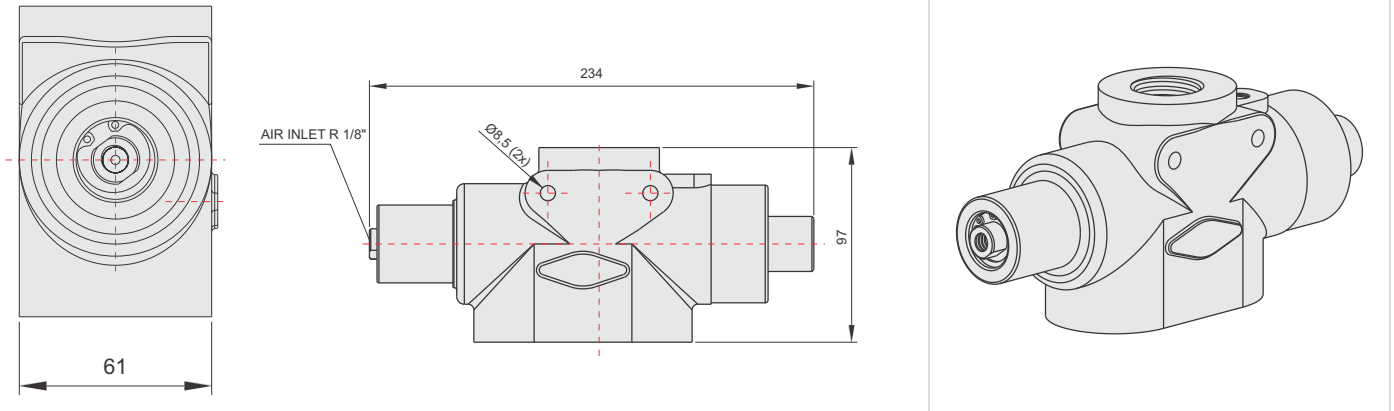
P.T.O. CODE	ZF2	
Torque	26,5 Kgm	260 Nm
Power	24,5 Hp	18,3 Kw
Speed	675 rpm	675 rpm
Ratio	1/1,2	1/1,2
Weight	11 kg	24,4 lb
Mounting	Kuyruk	Rear
Control	Havali	Pneumatic
P.T.O. Rotation	Sol - ISO	Left - ISO

The rotation of the chosen pump has to be opposite with the rotation of P.T.O.

Gearbox	Used Vehicles
ZF16S251-221-151-150-130- ZF S5/AK/65-120-111-110-92- GP ZF S5/AK/6S-90-80-70-66- 65-55-50-42-36-35-ZF-ECOMIT 9S75-9S109-16S109 ZF NEW ECOSPLIT 16S1620TD- 16S1820TO-18S1820TO- 16S2220TD-16S220TO- 16S2520TO- 16S2023TDL	MAN / MERCEDES / BMC PROFESYONEL / FORD CARGO / CHRYSLER HINO / DODGE / FARGO / IVECO /DAF/ DAEWOO / RENAULT

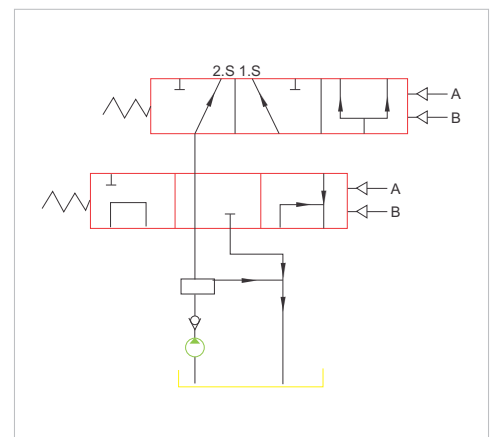
Fill the oil of the gear box after mounting the P.T.O.

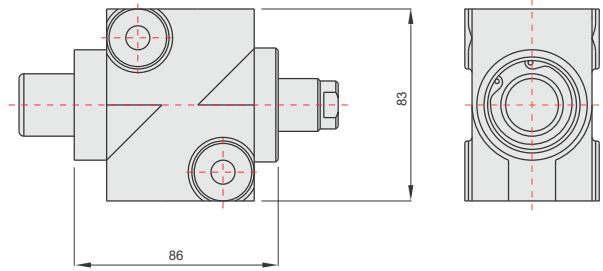
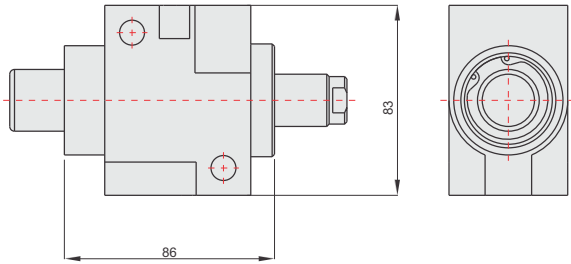
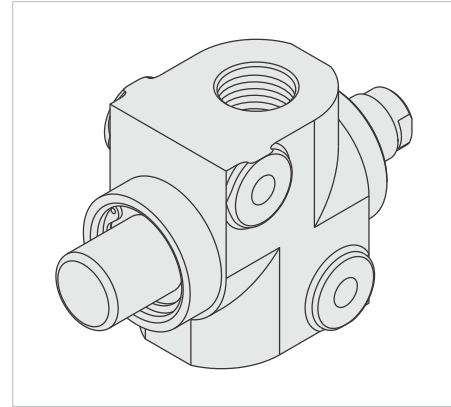
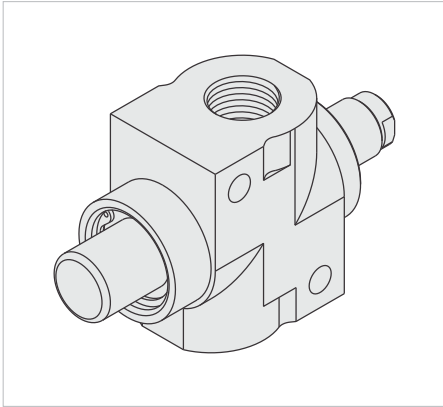




GENERAL DATA

VALVE CODE	1" Straight Fitting
Flow Rate	140 lt/dk
Max. Press.	190 bar
Weight(kg)	7,5 kg
Max. Pneumatic Press.	12 bar
Fluid	Mineral based hydraulic oil



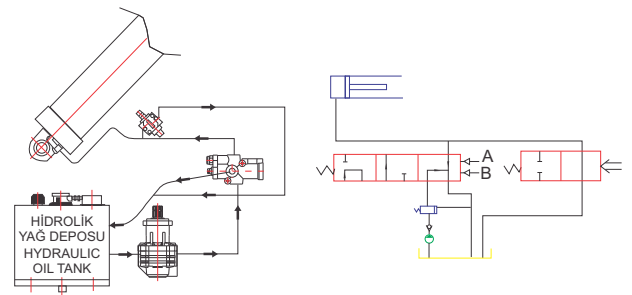
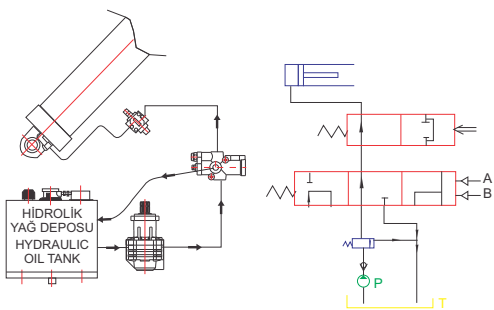


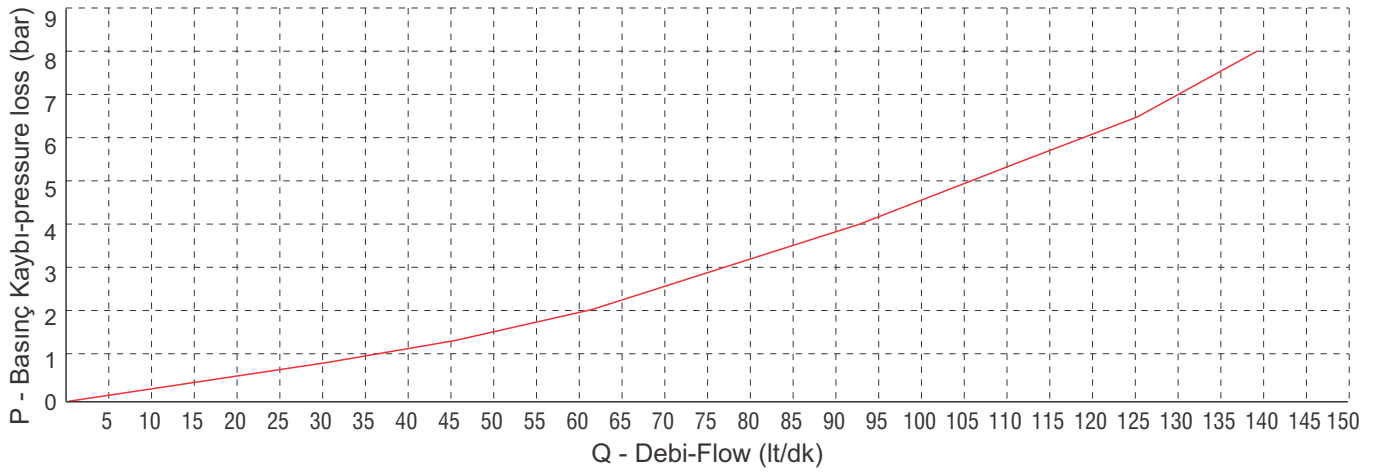
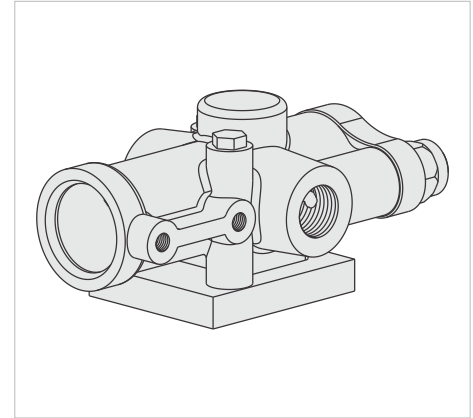
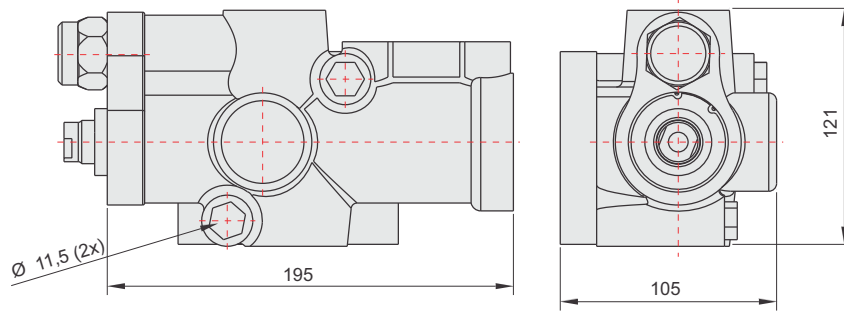
GENERAL DATA

VALVE CODE	3/4" Fittings	1" Fittings
Flow Rate	110 lt/dk	140 lt/dk
Max. Press.	190 bar	190 bar
Weight(kg)	1,9 kg	1,9 kg
Fluid	Mineral based hydraulic oil	

GENERAL DATA

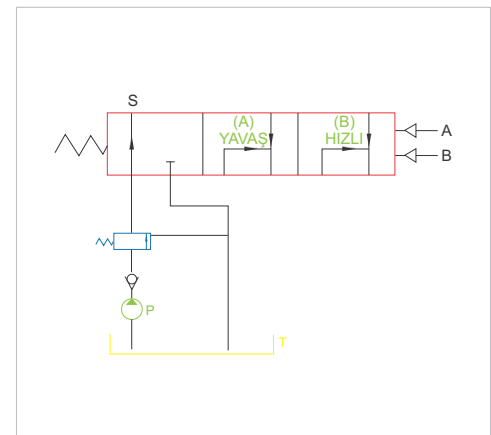
VALVE CODE	3/4" Fittings	1" Fittings
Flow Rate	110 lt/dk	140 lt/dk
Max. Press.	190 bar	190 bar
Weight(kg)	1,9 kg	1,9 kg
Fluid	Mineral based hydraulic oil	

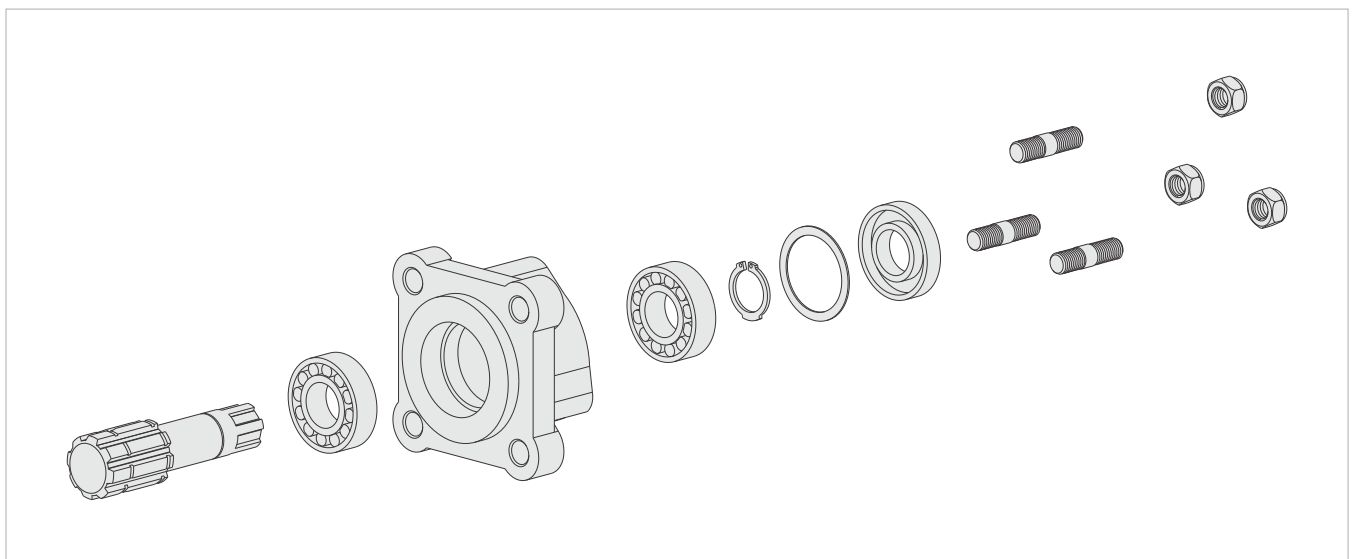
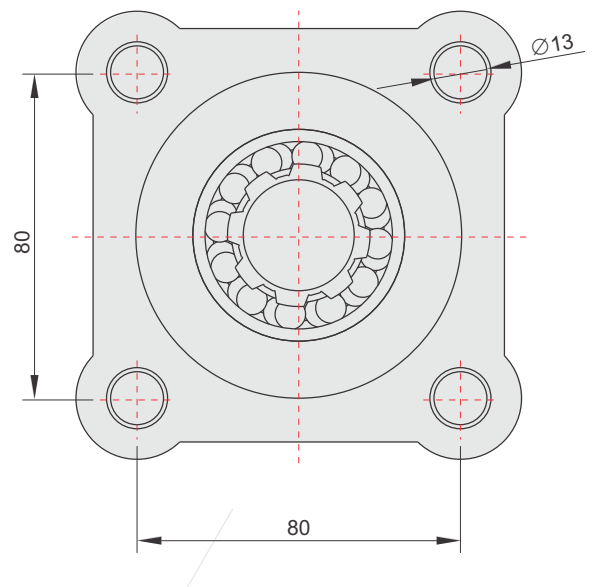
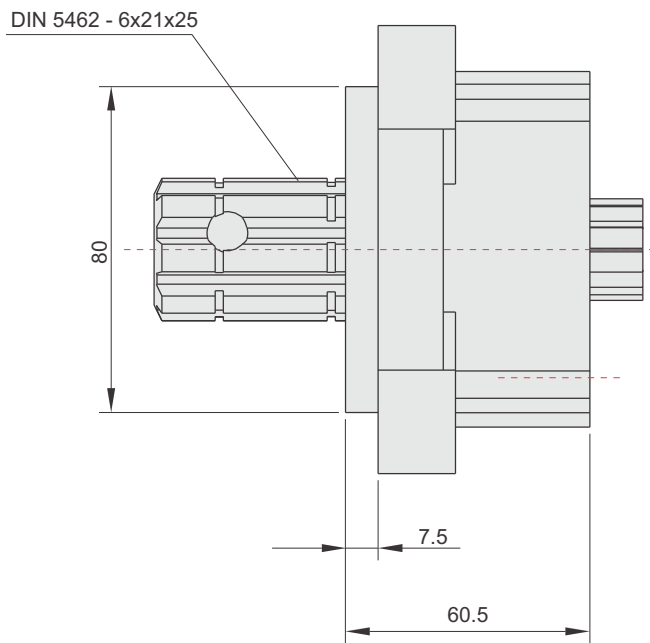
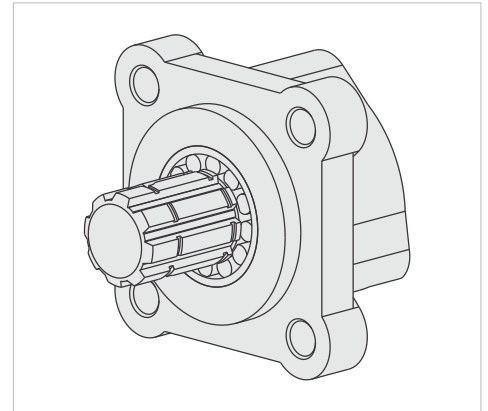


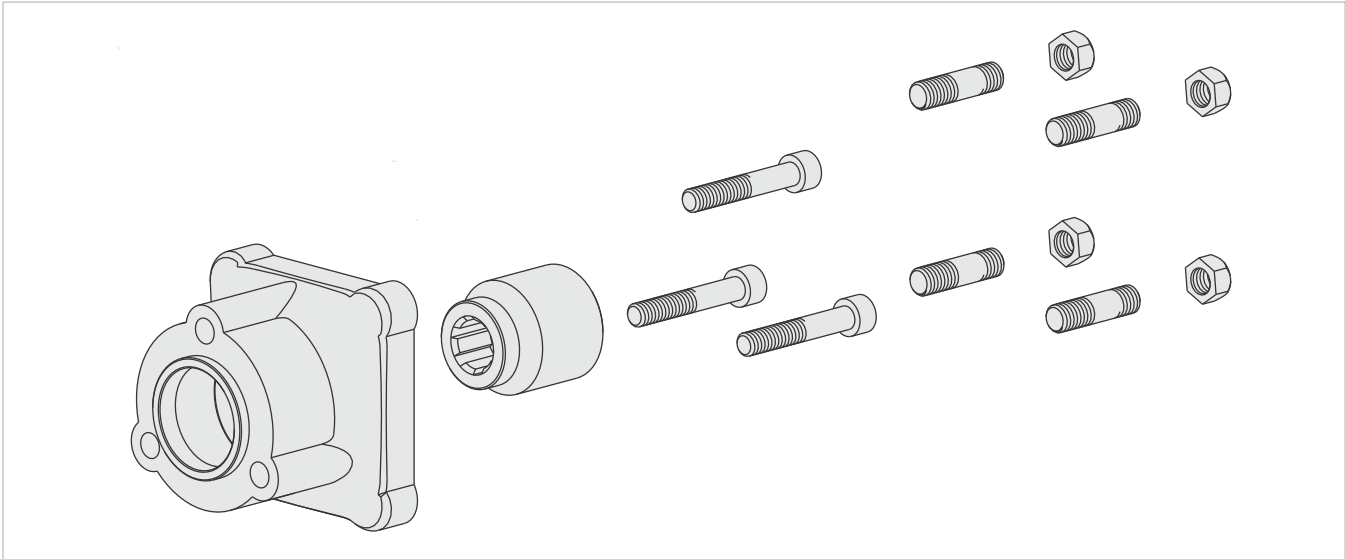
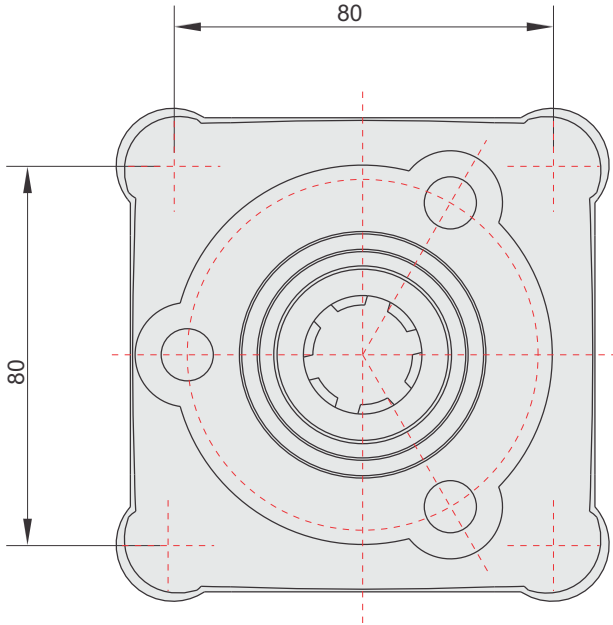
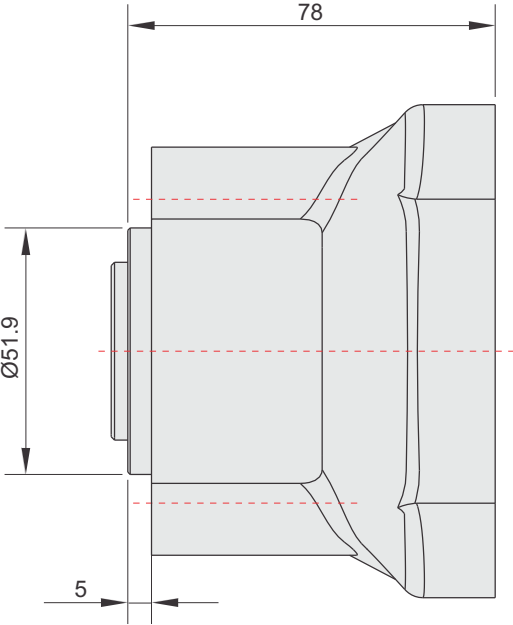
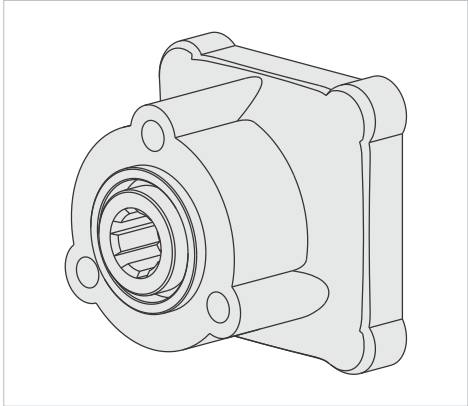


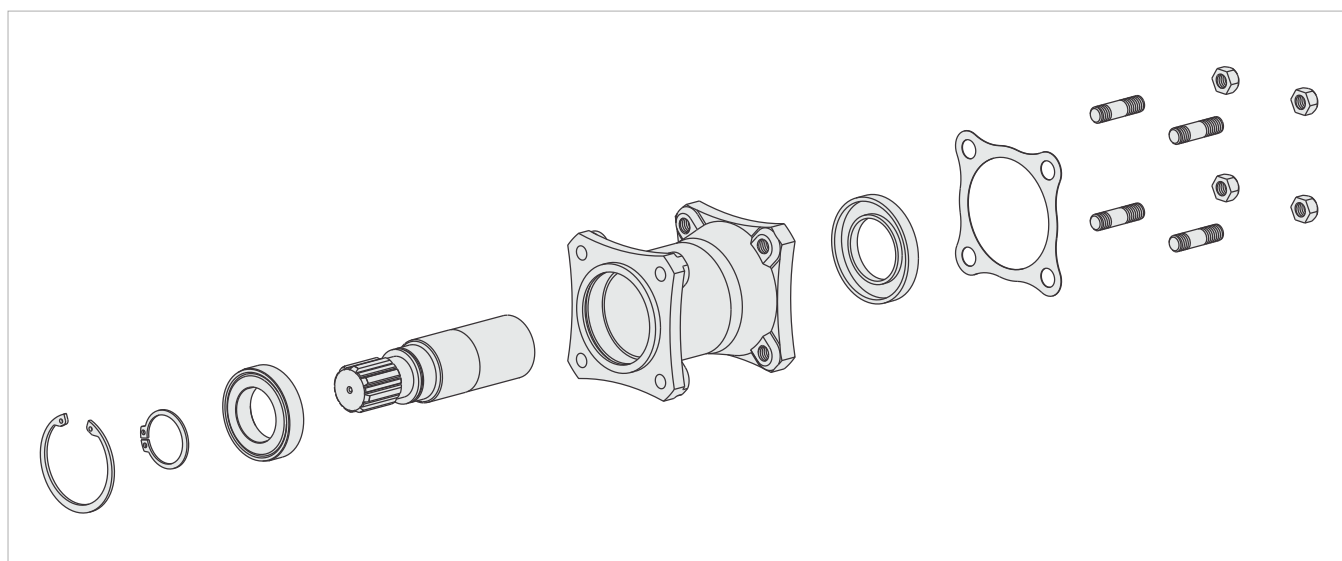
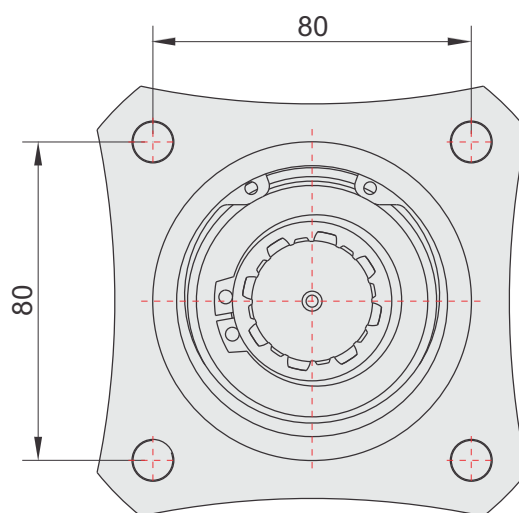
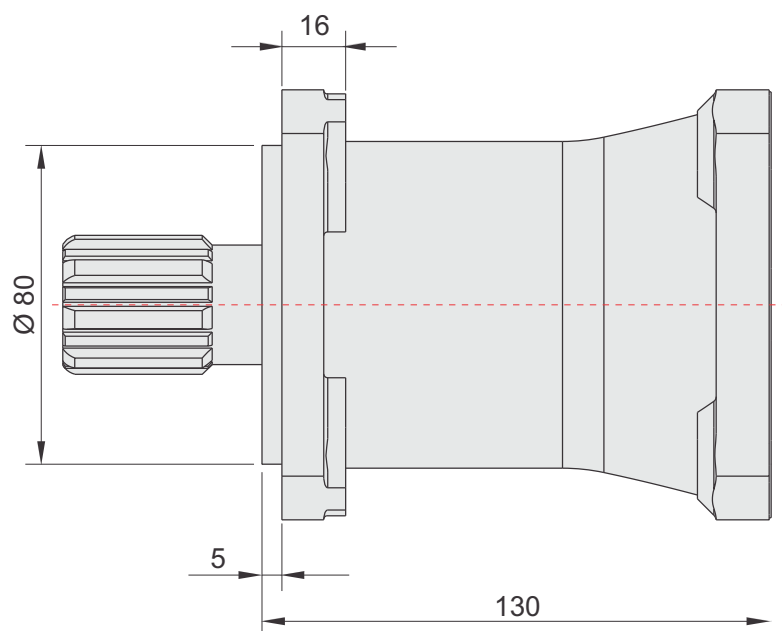
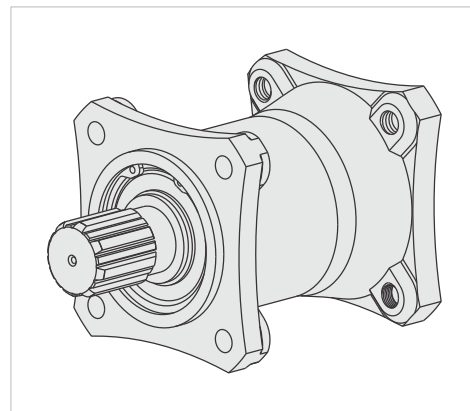
GENEL BİLGİLER/GENERAL DATA

VALVE CODE	3/4" Fitting	1" Straight Fitting	1" Reverse Fitting
Flow Rate	110 lt/dk	140 lt/dk	140 lt/dk
Max. Press.	190 bar	190 bar	190 bar
Working Press.	170 bar	170 bar	170 bar
Weight(kg)	7,5 kg	7,5 kg	7,5 kg
Max. Pneumatic Press.	12 bar	12 bar	12 bar
Fluid	Mineral based hydraulic oil		

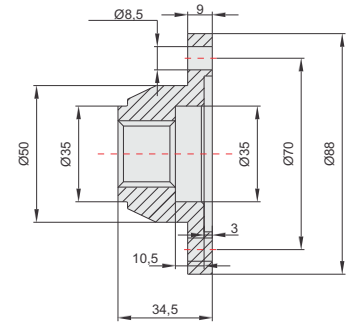
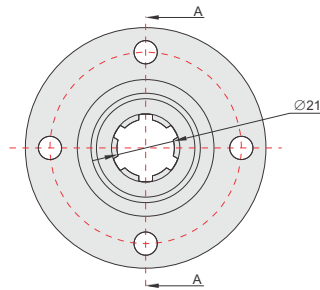
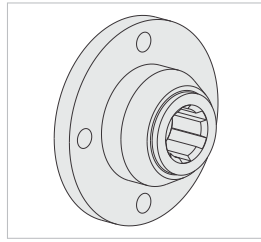






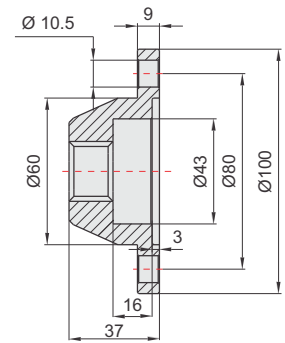
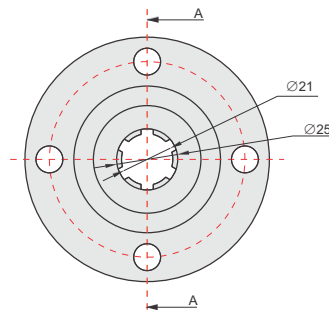
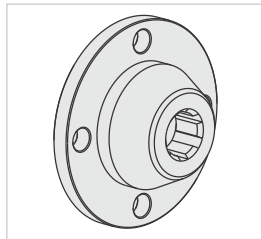


1300 Flange
6 Spline



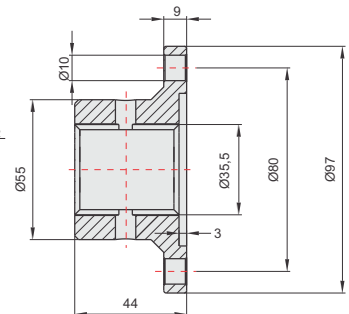
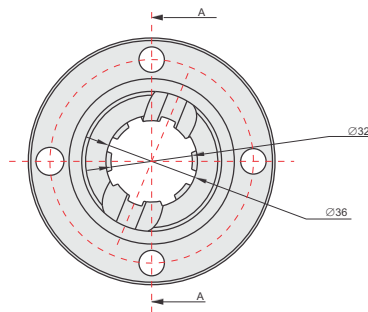
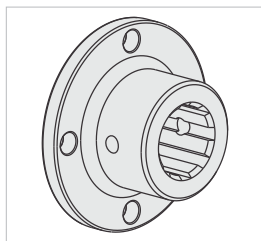
A-A Kesiti / A-A Section

1120 Flange
6 Spline



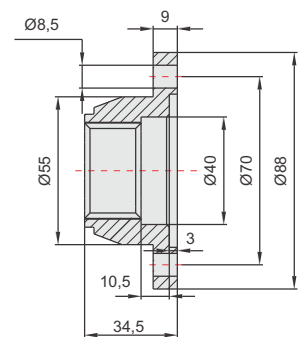
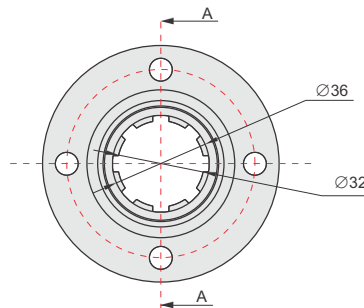
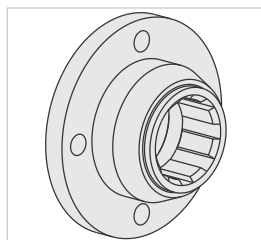
A-A Kesiti / A-A Section

1300 Flange
8 Spline



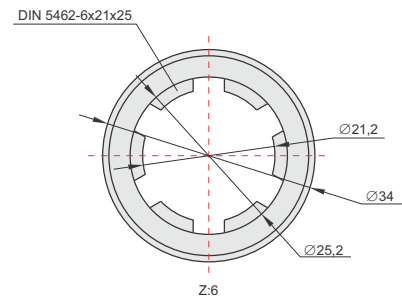
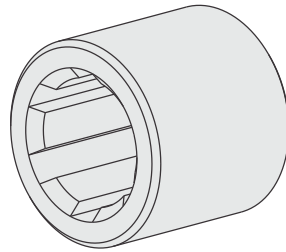
A-A Kesiti / A-A Section

1120 Flange
8 Spline

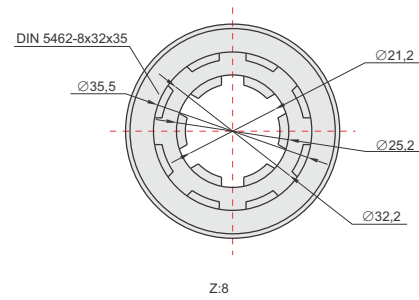
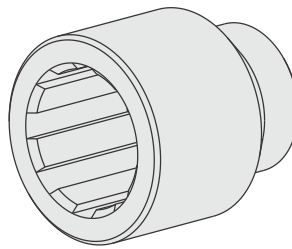


A-A Kesiti / A-A Section

6x6 Couplar



6x8 Couplar



		Piston Pumps		Piston Motors	
DIN	DIN 5462 / ISO 14 8x32x35 8x32x36 DIN 6885				
		G2PA	G1PA	G2PM	
ISO	ISO 3019-2 (4 BOLTS) DIN 5480 -W25,30,35,40,45 DIN 6885 -Ø20,25,30,35,40,45				
		G2P		G2M	
SAE	SAE B2 C4 - SAE D SAE J498b SAE J 744				
		G2SE		G2EM	
M2 Fixed Plug-in	DIN 5480 / ISO 3019-2 W30 - W35 - W40 M21 - M22 - M23				
				G2MS	
	DIN ISO 14 8x32x36				
		GPA			
	P2 Connection M8x125 Woodruff key 3x6,5 NF E 27-653 NF R 124-04 (2 BOLTS)				
		GPH			

HYDROLINA HYDRAULICS, LTD.

Fevziçakmak mh. 10505 Sk.
No: 23/1 Karatay / KONYA

Phone : **+90 (551) 148 26 88**

Fax : +90 (551) 148 26 88

mail@hydrolina.com
order@hydrolina.com

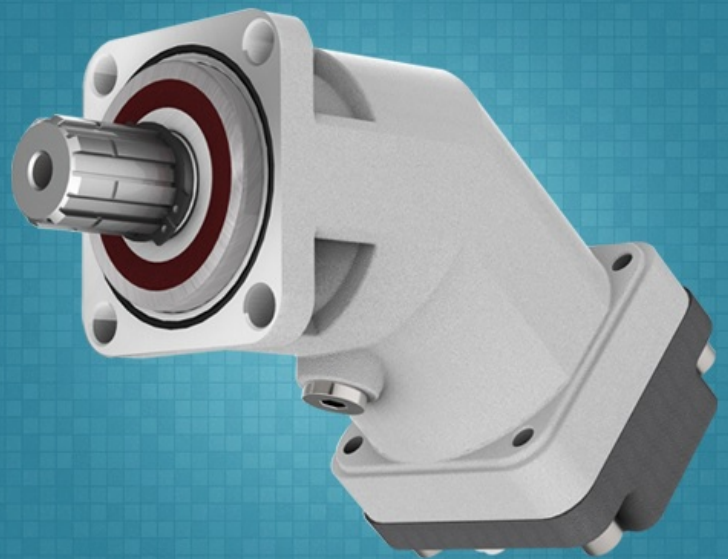
 *Pumps, Motors, Hydraulic Components...*   

[HOME](#) [CORPORATE](#) [PRODUCT LINE](#) [PUMPS](#) [MOTORS](#) [INDUSTRIAL & MOBILE HYDRAULIC](#) [LOCATIONS](#) [ENVIRONMENT](#) [CATALOGS](#) [WorldWide](#)

G2PA

Bent Axis Piston Pumps

- Compact Design,
- Economical Conception,
- High Rotating Speeds,
- High Output Pressure.



hydrolina.com